



**Intermec**



# Installation Instructions

## **Cutter Kit** (for EasyCoder PM4i)

Intermec Printer AB

Idrottsvägen 10

P.O. Box 123

S-431 22 Mölndal

Sweden

Service support: +46 31 869500

The information contained herein is proprietary and is provided solely for the purpose of allowing customers to operate and/or service Intermec manufactured equipment and is not to be released, reproduced, or used for any other purpose without written permission of Intermec.

Information and specifications in this manual are subject to change without notice.

© 2003 by Intermec Printer AB

All Rights Reserved

EasyCoder and Fingerprint are registered trademarks of Intermec Technologies Corp. The word Intermec and the Intermec logo are trademarks of Intermec Technologies Corp.

Torx is a registered trademark of Camcar Division of Textron Inc.

Throughout this manual, trademarked names may be used. Rather than put a trademark (™) symbol in every occurrence of a trademarked name, we state that we are using the names only in an editorial fashion, and to the benefit of the trademark owner, with no intention of infringement.

# Contents

	Introduction .....	iv
	Printer Firmware .....	iv
	Installation Kit .....	iv
<b>1</b>	<b>Description</b>	
	General Information .....	2
	Media .....	3
	Measures and Weight .....	4
<b>2</b>	<b>Physical Installation</b>	
	Installation Instructions .....	6
<b>3</b>	<b>Fingerprint Control</b>	
	Activating the Cutter .....	10
	Controlling the Cut Position .....	10
<b>4</b>	<b>IPL Control</b>	
	Activating the Cutter .....	12

## **Introduction**

This Installation Instructions booklet describes how to install a cutter in an EasyCoder PM4i printer.

The installation instructions also describes how to control the cutter in Intermec Fingerprint and in Intermec Programming Language (IPL).

## **Printer Firmware**

The printer must be fitted with Intermec Fingerprint v8.00 (or later) or IPL v2.00 (or later).

## **Installation Kit**

The Cutter Kit contains:

- One cutter unit
- One tray
- Three #T20 Torx screws
- One Installation Instruction booklet

The only tool required for the installation is a #T20 Torx screwdriver.



# 1 Description

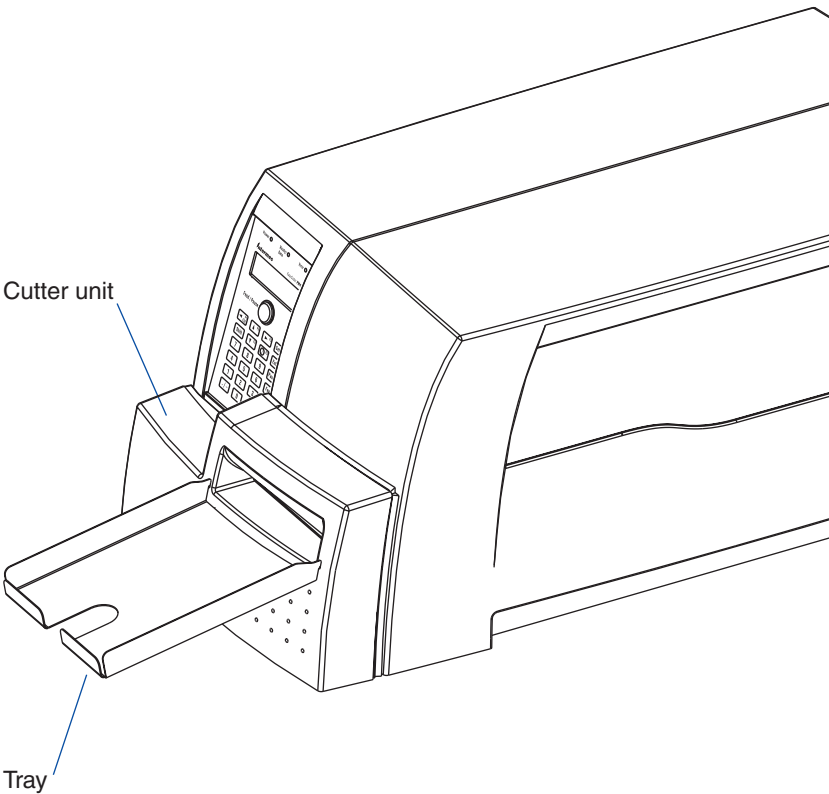
This chapter describes the cutter and provides essential technical data.

## General Information

The cutter is a factory-installed or field-installable option for the Easy-Coder PM4i printer. The cutter automatically cuts off the media after printing according to instructions in the controlling firmware. The cut off portions of media are presented at the front of the cutter and can be collected on a removable tray.

The cutter can be tilted forward to facilitate media load. As a safety measure, the cutter can only operate when being completely closed.

The cutter prevents an optional label taken sensor from working, even if it not necessary to remove it before fitting the cutter.



## **Media**

The cutter is primarily intended to cut paper-based media in the form of continuous stock. It is also possible to cut through the liner between labels, but be careful not to cut through the labels themselves, because the adhesive will stick to the cutting blade and may cause malfunction.

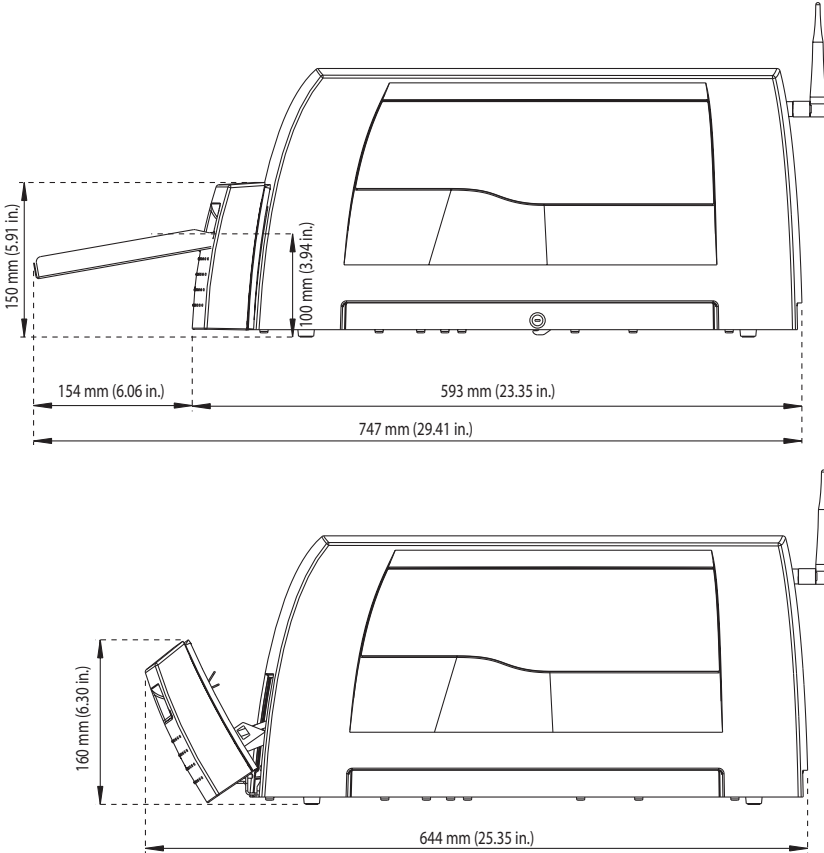
Avoid cutting soft plastic-based media.

Minimum media thickness: 78µm

Maximum media thickness: 175µm

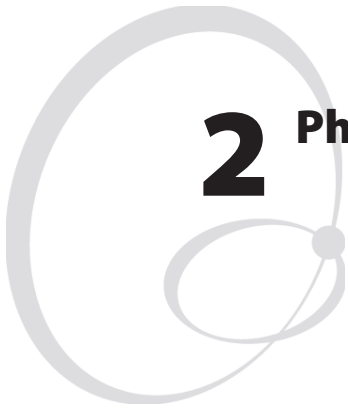
# Measures and Weight

When a cutter is installed, the measures of the printer are:



The weight is increased by approximately 1.8 kg (4.0 pounds)





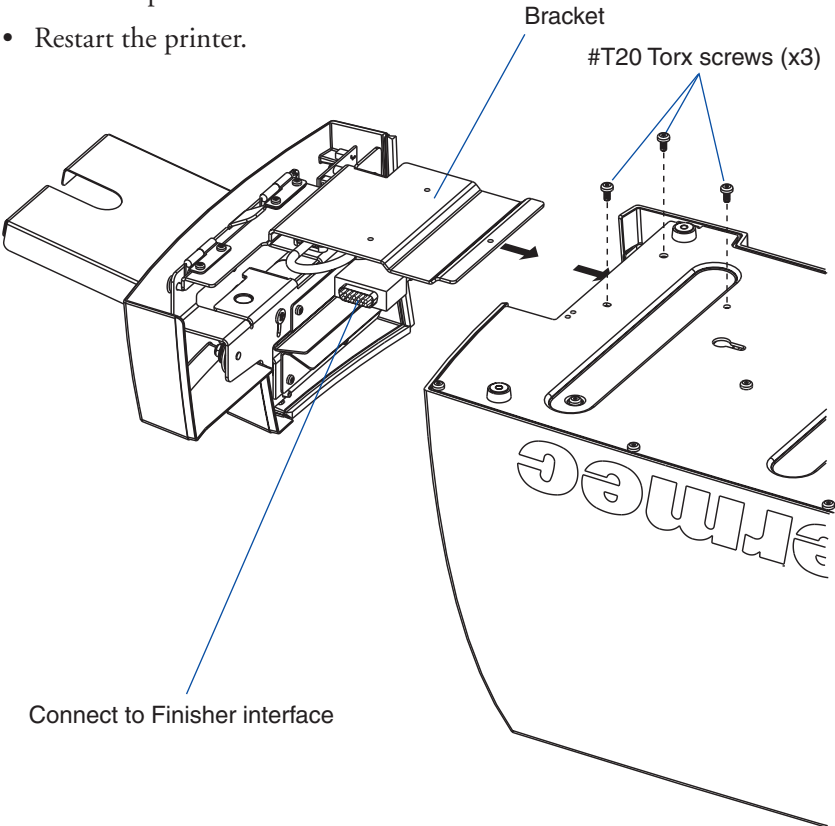
# **2 Physical Installation**

This chapter describes how to physically install the cutter in an EasyCoder PM4i printer.

# Installation Instructions

Install the cutter this way:

- Turn the printer upside down on a soft piece of cloth or similar.
- Remove the front door, which is held by two #T20 Torx screws.
- Insert the cutter bracket between the printer's bottom plate and print mechanism so the three thread bushings on the bracket fits into the corresponding holes in the printer's bottom plate. Fit it using the three #T20 Torx screws included in the kit.
- Turn the printer back on its feet.
- Open the right-hand door.
- Connect the cutter cable to the Finisher interface connector underneath the print mechanism.
- Restart the printer.



A decorative graphic consisting of two overlapping circles. The larger circle is on the left and the smaller one is on the right, with a small grey dot at their intersection. The number '3' is placed inside the larger circle.

# **3 Fingerprint Control**

This chapter describes how to control the cutter in an EasyCoder PM4i printer when running Intermec Fingerprint v8.00 (or later).

## Activating the Cutter

The cutter is activated by CUT or CUT ON statements, see the *Intermec Fingerprint v8.xx*, or the *Intermec Direct Protocol v8.xx* manuals. Application programs may have related facilities for operating the cutter.

## Controlling the Cut Position

The edge will cut through the media approx. 33 mm (1.3 inches) in front of the printer's dot line. The relation between the media and the actual cutting position is controlled by the Feed Adjustment parameters in the Setup Mode or in setup files or setup strings.

The following feed adjustment values are recommended for cutting:

Type of Cutting	8 dots/mm printhead	11.81 dots/mm printhead
-----------------	---------------------	-------------------------

### Cut between labels w. gaps

Start adjust:	- 325 dots	- 480 dots
Stop adjust:	+ 240 dots	+ 354 dots

### Cut fix and variable length strip (no liner!)

Start adjust:	- 250 dots	-369 dots
Stop adjust:	+ 160 dots	+236 dots

### Cut variable length strip (no liner!)

Start adjust:	- 340 dots	- 502 dots
Stop adjust:	+ 340 dots	+ 502 dots



# 4 IPL Control

This chapter describes how to control the cutter in an EasyCoder PM4i printer when running IPL v2.00 (or later).

## **Activating the Cutter**

The cutter is activated in the Setup Mode (Setup/Configuration/Cutter) or by the commands <SO> (cut) and <SI>c1 (enable cutter) or <SI>c0 (disable cutter). Application programs may have related facilities for operating the cutter.





**Intermec Printer AB**

Idrottsvägen 10, P.O. Box 123  
S-431 22 Mölndal, Sweden

**tel** +46 31 869500

**fax** +46 31 869595

[www.intermec.com](http://www.intermec.com)

Cutter Kit (EasyCoder PM4i-series) Installation Instructions



\*1-960595-00\*