

# PM23c

Rotation Hanger

**Installation Instructions**

Intermec Technologies Corporation

Worldwide Headquarters

6001 36th Ave.W.

Everett, WA 98203

U.S.A.

[www.intermec.com](http://www.intermec.com)

The information contained herein is provided solely for the purpose of allowing customers to operate and service Intermec-manufactured equipment and is not to be released, reproduced, or used for any other purpose without written permission of Intermec Technologies Corporation.

Information and specifications contained in this document are subject to change without prior notice and do not represent a commitment on the part of Intermec Technologies Corporation.

© 2013 by Intermec Technologies Corporation. All rights reserved.

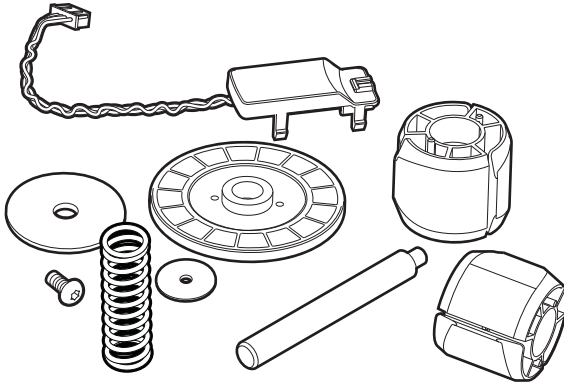
The word Intermec, the Intermec logo, Norand, ArciTech, Beverage Routebook, CrossBar, dcBrowser, Duratherm, EasyADC, EasyCoder, EasySet, Fingerprint, INCA (under license), i-gistics, Intellitag, Intellitag Gen2, JANUS, LabelShop, MobileLAN, Picolink, Ready-to-Work, RoutePower, Sabre, ScanPlus, ShopScan, Smart Mobile Computing, SmartSystems, TE 2000, Trakker Antares, and Vista Powered are either trademarks or registered trademarks of Intermec Technologies Corporation.

There are U.S. and foreign patents as well as U.S. and foreign patents pending.

# Install the Rotation Hanger

Use these instructions to install the rotation hanger in the PM23c printer.

You will find these items in the shipping box:



You will need the following tools to install the rotation hanger:

- T20 Torx screwdriver
- Small wrench
- Phillips screwdriver

To install the rotation hanger, you need to open the printer and physically install the hanger in the printer.



**Warning**

**The rotation hanger must only be installed by an authorized service technician.**



**Follow ESD Procedures**

**Follow standard ESD guidelines to avoid damaging the equipment you are servicing.**



**Caution**

**Before you begin, turn off the printer and disconnect the power cord and communication cables.**

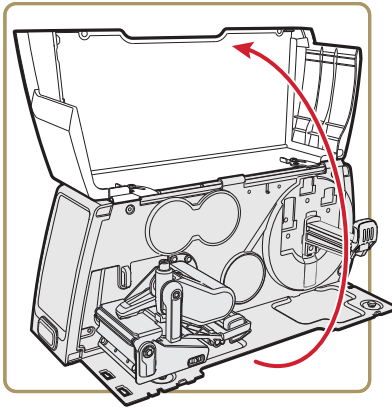


**The electronic compartment contains wires and components with dangerous voltage. Make sure that the printer is turned off and the power cord is disconnected before removing the cover.**

You need to remove both the media cover and the electronics cover to install the rotation hanger.

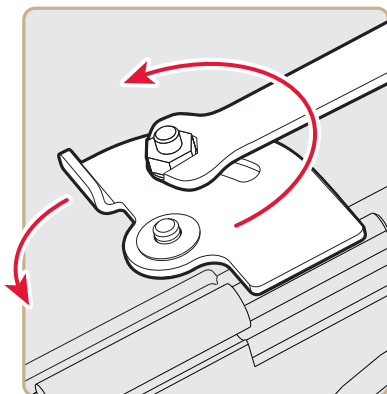
**To remove the media cover**

- 1** Open the media cover.



- 2** Use the small wrench to loosen the nut that secures the media cover latches in place.

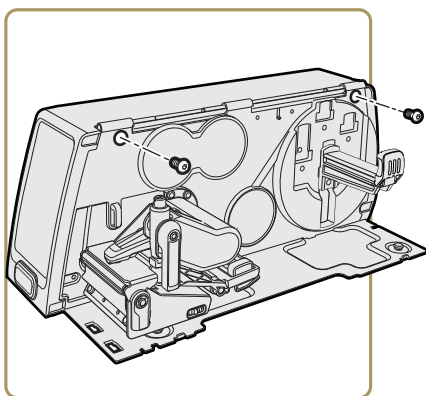
- 3 Slide the latches counterclockwise into the open position.



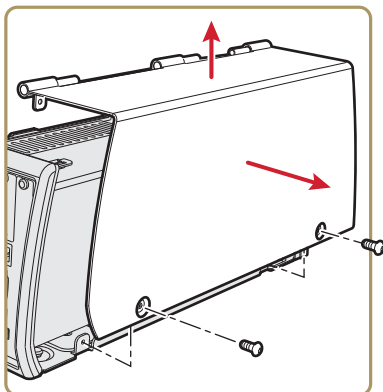
- 4 Close the media cover and lift it off the hinges.
- 5 Put the media cover aside on a soft cloth to avoid scratches.

**To remove the electronics cover**

- 1 Use a T20 Torx screwdriver to remove the two screws that secure the electronics cover to the inside of the printer base.



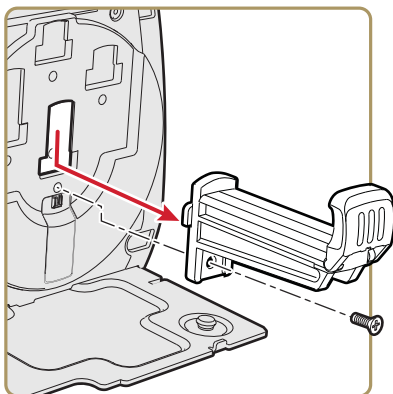
- 2 Use a T20 Torx screwdriver to remove the two screws located on the outside of the electronics cover.



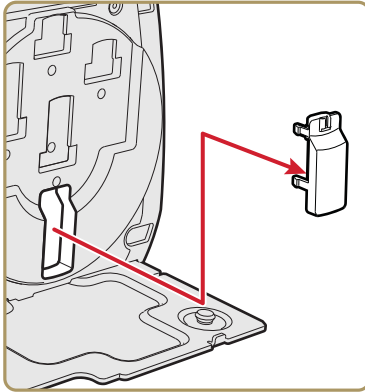
- 3 Remove the electronics cover, and put the cover aside on a soft cloth to avoid scratches.

#### **To install the rotation hanger**

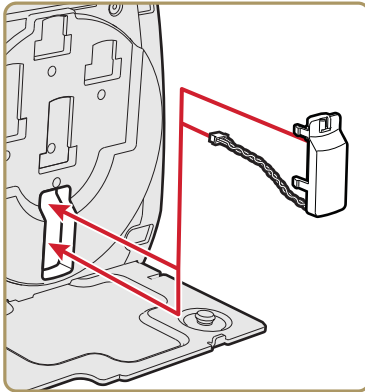
- 1 Remove the Phillips screw that attaches the media hanger to the printer and then slide the hanger down and away from the printer.



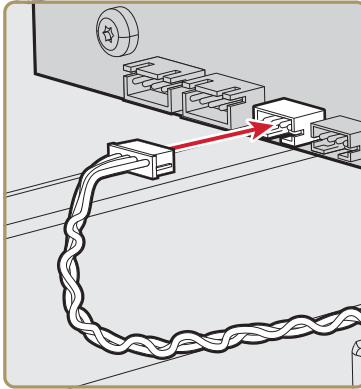
- From the electronics side, push the media sensor cover out of the printer base and remove it.



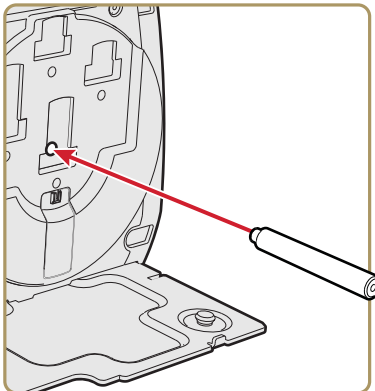
- Insert the media sensor and cable assembly into the printer base and snap the sensor in place.



- 4 On the electronics side, connect the media sensor cable to the connector labeled “P26 Paper” on the main board.

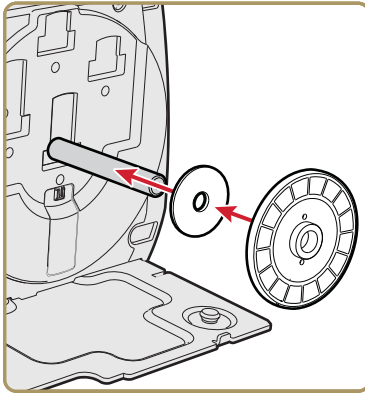


- 5 Insert the metal rod into the screw hole where you removed the media hanger, and turn the rod until it is securely attached to the printer.





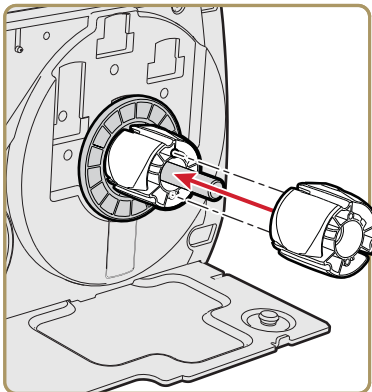
- 6** Slide the oil-saturated felt washer and the reflective wheel onto the metal rod. Make sure the reflective side of the wheel faces the inside wall of the printer.



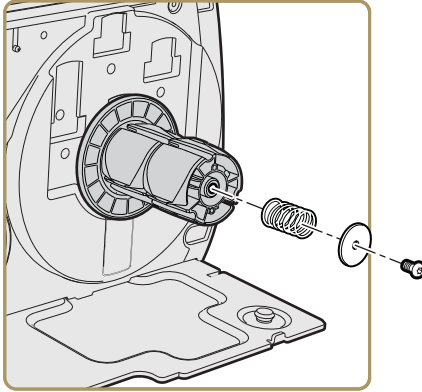
- 7** Put two of the 1 7/8-inch rotation core pieces together, making sure that the alignment pins in one piece insert into the alignment holes on the other piece.

When inserted correctly, the two core pieces should line up perfectly and be in the exact same orientation.

- 8** Slide the two core pieces onto the metal rod and make sure the alignment pins on the core piece insert into the alignment holes on the reflective wheel.



- 9** Place the spring on the metal rod and secure to the rotation hanger with the Torx screw and metal washer. For best results, place the washer on the screw before inserting it into the metal rod.



- 10** Replace the electronics cover.
- 11** Replace the media cover.





Worldwide Headquarters  
6001 36th Avenue West  
Everett, Washington 98203  
U.S.A.

tel 425.348.2600

fax 425.355.9551

[www.intermec.com](http://www.intermec.com)

© 2013 Intermec Technologies  
Corporation. All rights reserved.



## PM23c Rotation Hanger Installation Instructions



P/N 931-118-002