



# Printer RFID Kit

---

For PX4ie, PX6ie

## Installation Guide

## Introduction

The RFID kit provides RFID functionality for PX4ie and PX6ie printers. With this kit installed, the PX4ie or PX6ie printer can read and write to RFID tags.

These instructions describe how to install the following RFID kits:

- PX4ie 915 MHz RFID Kit (P/N 50147009-001)
- PX4ie 869 MHz RFID Kit (P/N 50147010-001)
- PX6ie 915 MHz RFID Kit (P/N 50147011-001)
- PX6ie 869 MHz RFID Kit (P/N 50147012-001)

For more information about using RFID features on the PX4ie or PX6ie, see the *EasyCoder Printer RFID User's Guide* (P/N 934-041-xxx).

## Contents

- One of the following RFID interface boards:
  - RFID interface board with IM11 869 MHz radio module
  - RFID interface board with IM11 915 MHz radio module
- One of the following lower media guides:
  - PX4ie lower media guide with RFID antenna
  - PX6ie lower media guide with RFID antenna
- Dual slot I/O cable
- M3x5 screw (2)
- M4x5 screw
- Spacer screw

## Requirements

- A #T10 and a #T20 Torx screwdriver.
- A slotted screwdriver.

## Installing the RFID Kit



**Warning:** The installation described in this section must only be performed by an authorized service technician. Honeywell assumes no responsibility for personal injury or damage to the equipment if the installation is performed by an unauthorized person.



Follow ESD  
Procedures

**Follow standard ESD guidelines to avoid damaging the equipment.**



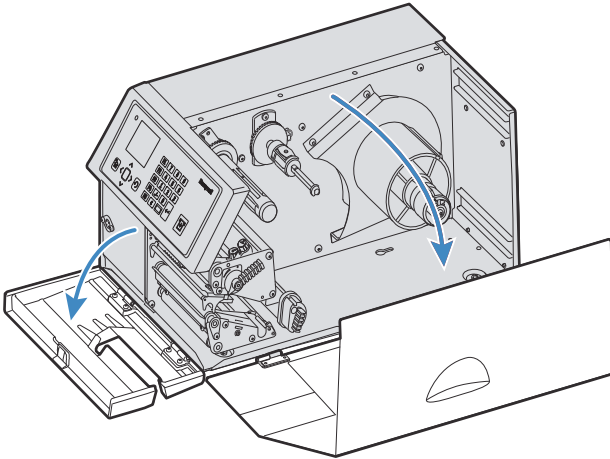
**Caution:** Before you begin, turn off the printer and disconnect the power cord and communication cables.

**Note:** This procedure applies to both the PX4ie and PX6ie. For simplicity, the PX4ie is depicted in the illustrations.

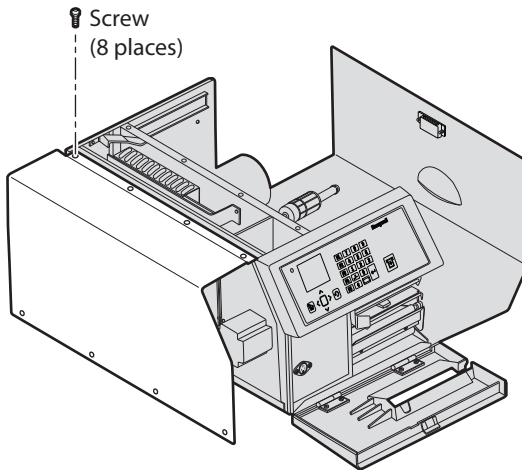


**Caution:** Before you begin, turn off the printer and disconnect the power cord and communication cables.

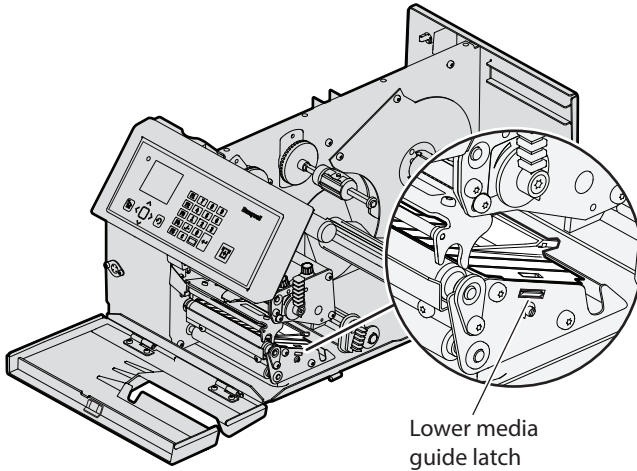
1. Open the front door and right side door.



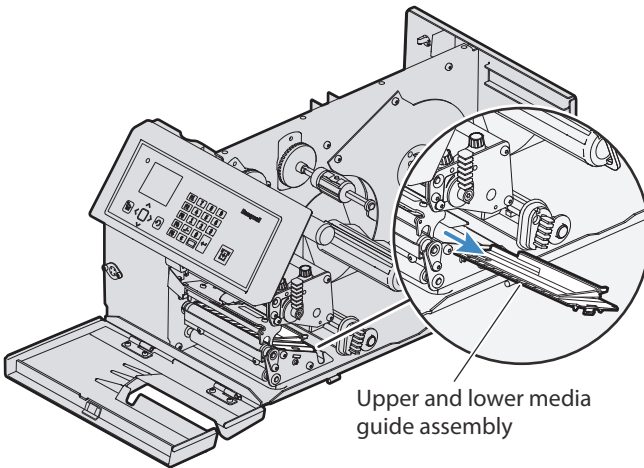
2. Remove the eight #T10 Torx screws and remove the left side door.



3. Release the lower media guide latch.

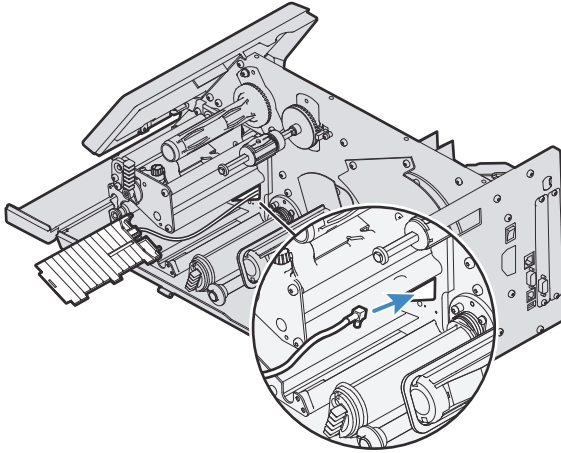


4. Carefully remove the lower media guide and upper media guide assembly.

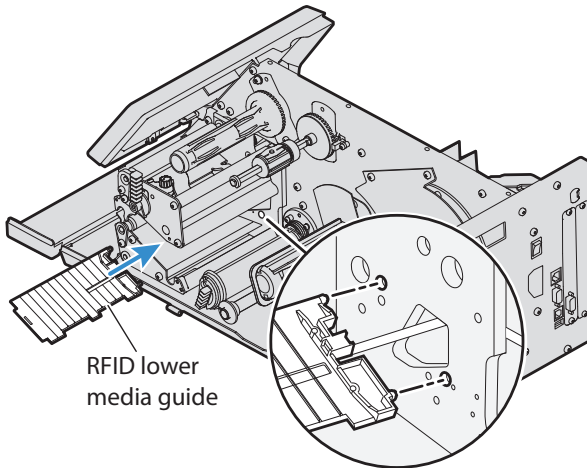


5. Remove the upper media guide from the lower media guide.

- Route the antenna cable from the RFID lower media guide through the opening in the print engine base. Make sure to route the cable in front of the label stop sensor (LSS) guide bar.



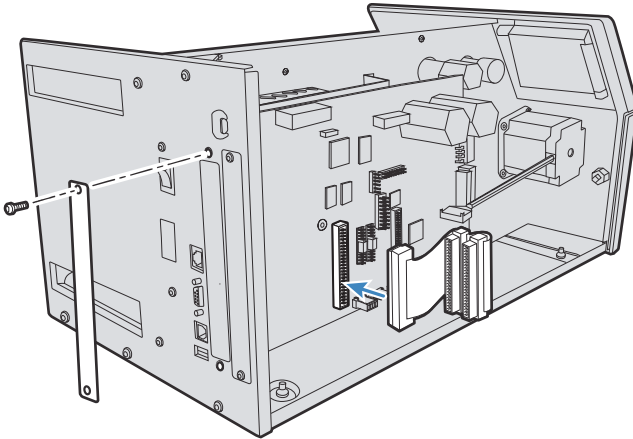
- Slide the RFID lower media guide into the printer. Insert the pins on the guide into the holes on the print engine base.



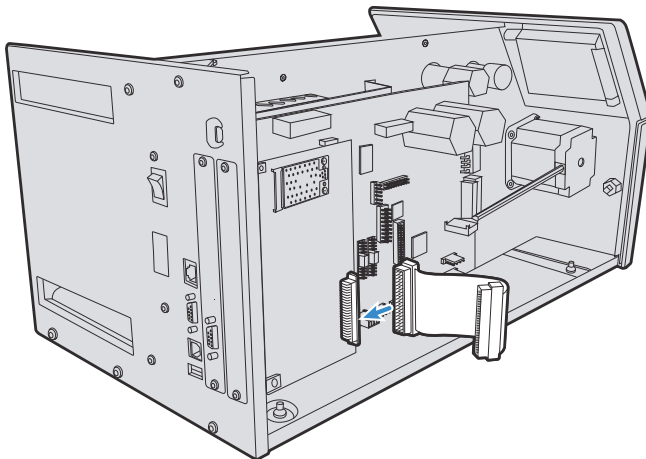
- Snap the RFID lower media guide into place.
- Insert the upper media guide.

10. On the back of the printer, remove the two screws that secure the cover plate to slot 1 or slot 2, and remove the cover plate.

**Note:** You need to use the first available slot on the printer starting from the left (slot 1).

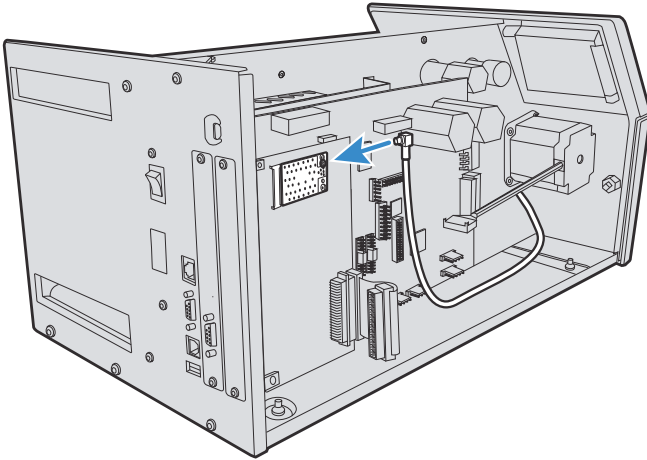


11. Connect the dual slot I/O cable to the main board.
12. Connect the dual slot I/O cable to the RFID interface board. Use the connector 1 for slot 1 and connector 2 for slot 2.



13. Slide the RFID interface board into the printer.
14. Secure the RFID interface board with the two screws you removed in Step 9 or with the two included M3x5 screws.

- Secure the RFID interface board to the circuit board with the M4x5 screw and spacer screw. For slot 1, use the spacer screw on the main board. For slot 2, use the spacer screw in the kit.
- Connect the antenna cable to the RFID interface board.



- Attach the left side door to the printer.
- Close the front and right side doors.



## Support

To search our knowledge base for a solution or to log into the Technical Support portal and report a problem, go to [www.hsmcontactsupport.com](http://www.hsmcontactsupport.com).

## Documentation

Product documentation is available at [www.honeywellaidc.com](http://www.honeywellaidc.com).

## Limited Warranty

For warranty information, go to [www.honeywellaidc.com](http://www.honeywellaidc.com) and click **Resources > Product Warranty**.

## Patents

For patent information, see [www.hsmpats.com](http://www.hsmpats.com).

## Disclaimer

Honeywell International Inc. (“HII”) reserves the right to make changes in specifications and other information contained in this document without prior notice, and the reader should in all cases consult HII to determine whether any such changes have been made. The information in this publication does not represent a commitment on the part of HII.

HII shall not be liable for technical or editorial errors or omissions contained herein; nor for incidental or consequential damages resulting from the furnishing, performance, or use of this material. HII disclaims all responsibility for the selection and use of software and/or hardware to achieve intended results.

This document contains proprietary information that is protected by copyright. All rights are reserved. No part of this document may be photocopied, reproduced, or translated into another language without the prior written consent of HII.

Copyright © 2009-2020 Honeywell International Inc. All rights reserved.