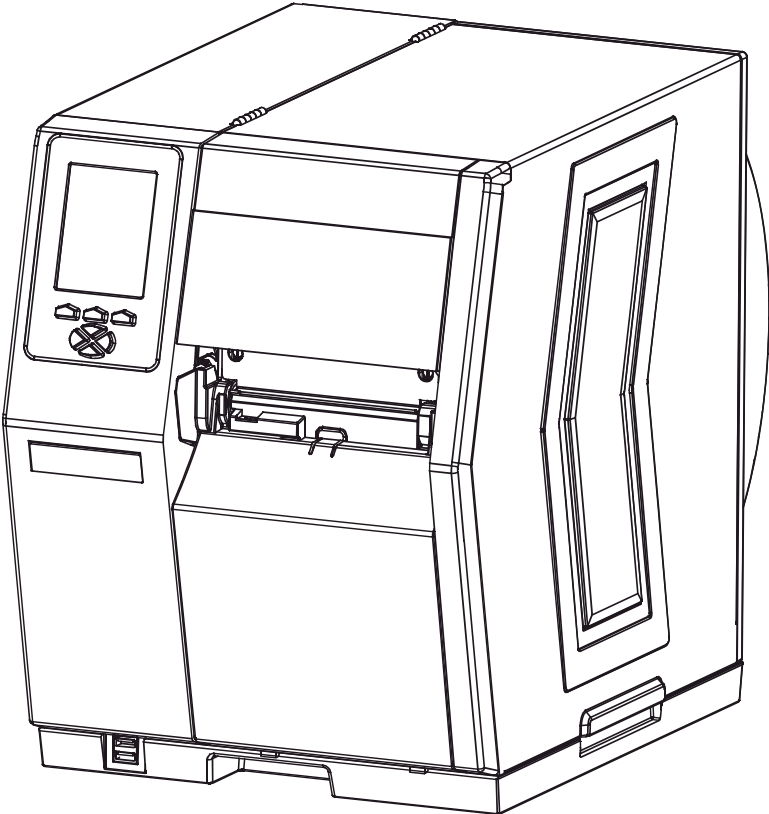


H-Class™

Present Sensor Option ■■■



right by our customers. ■■■



datamax·o'neil

Overview

This document describes the contents, installation, and use of the Present Sensor option for the H-Class printer. After verifying the contents of the kit, follow the steps below to install and begin using the option. A maintenance procedure is also included, so keep this documentation for future reference.

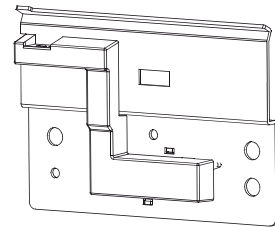


For your safety and to avoid equipment damage, always turn 'Off' power and unplug the printer's power cord before beginning this installation and when performing service.

Contents of the Present Sensor Option

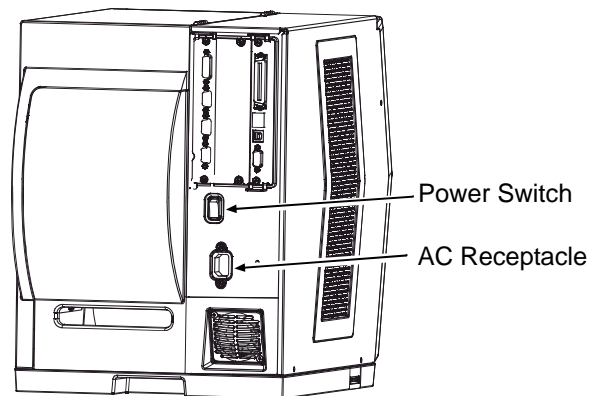
This kit contains the following item:

- Present Sensor Assembly

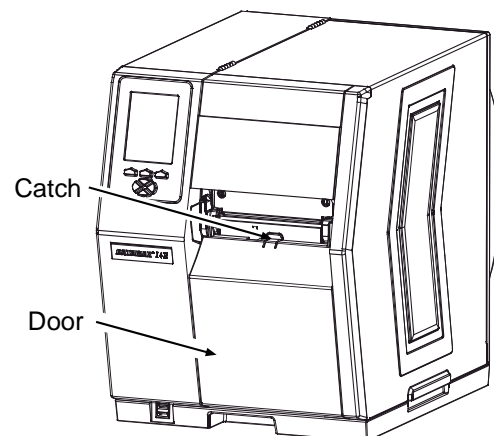


Step 1: Preparing the Printer

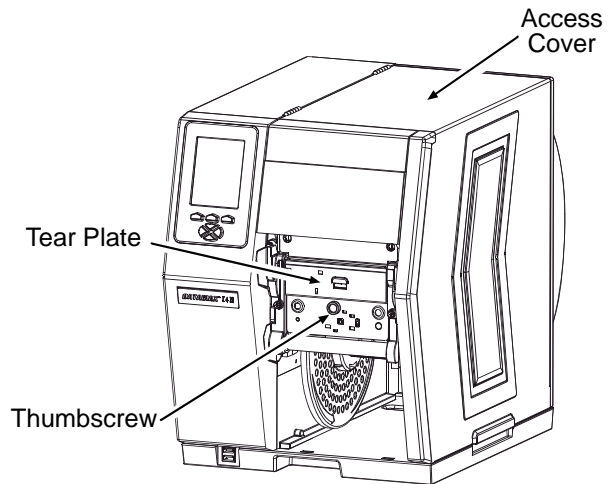
- A)** Turn 'Off' the **Power Switch** and unplug the power cord from the **AC Receptacle**.



- B)** Press down on the **Catch**, then pull forward to remove the **Door**.



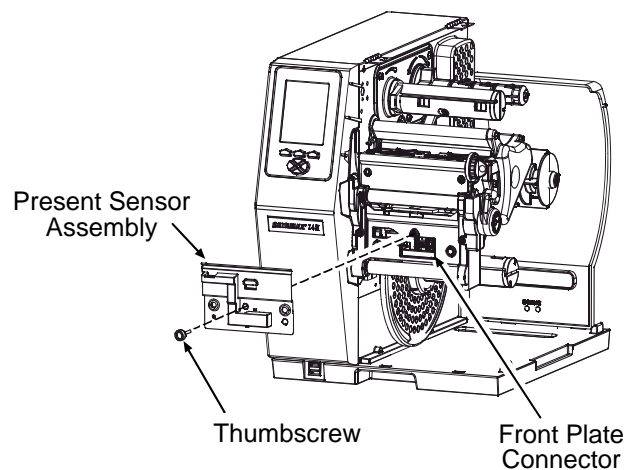
- C) Raise the **Access Cover** and remove your media from the printer.



- D) Loosen and remove the **Thumbscrew** and then remove the **Tear Plate**. (Alternately, if equipped with an Arc Plate, Cutter, or Peel and Present option, remove that device.)

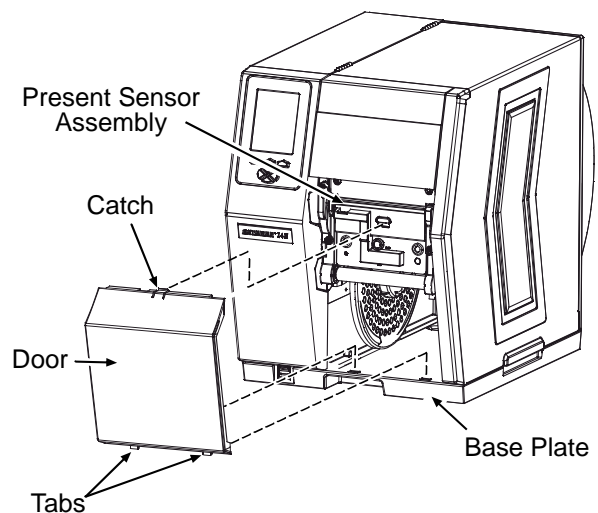
Step 2: Installing the Present Sensor

- A) Carefully press the **Present Sensor Assembly** into the **Front Plate Connector**.



- B) Secure the **Present Sensor Assembly** to the printer using the previously removed **Thumbscrew**.

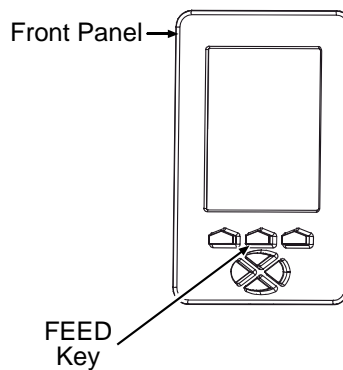
- C) Place the **Tabs** of the **Door** into the **Base Plate**, and then press the **Catch** into the **Present Sensor Assembly**.



Step 3: Using the Option

During operation, labels will be dispensed “on-demand” – that is, subsequent printing will occur only after a previously printed label has been removed from the printer. As a reminder, “REMOVE LABEL” will be displayed to prompt you when a label awaits removal. Begin using the option as follows:

- A)** Load media and close the Access Cover (see the *Operator’s Manual* for details).
- B)** Plug the power cord into the AC Receptacle and turn ‘On’ the Power Switch.
- C)** Ensure that READY is displayed on the **Front Panel** then press the **FEED Key**, and proceed according to your observations:
 - If REMOVE LABEL is displayed on the **Front Panel**, this completes the installation; or,
 - If REMOVE LABEL is not displayed on the **Front Panel**, proceed to Step 4: “Configuring the Printer.”



Notes: (1) The operation of the Present Sensor can also be controlled by host software commands, so ensure that your labeling program is properly configured for use when sending label formats to the printer.

(2) If the Present Sensor is removed with power applied, the printer will behave as if a label awaits removal; to restore normal operation, cycle power to the printer.

Step 4: Configuring the Printer

While the Present Sensor is a plug and play device, this step may be necessary if the printer's default configuration has been changed. Follow the steps below to configure the printer:

Note: *In the following procedure, consult the Operator's Manual for detailed front panel instructions.*

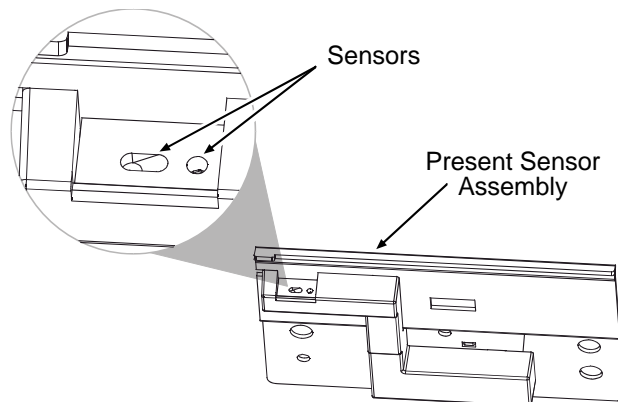
- A)** Press the **MENU Button** on the printer's front panel.
- B)** Using the **DOWN Button**, scroll to **PRINTER OPTIONS** then press the **RIGHT Button**.
- C)** Using the **DOWN Button**, scroll to **PRESENT SENSOR** then press the **ENTER Key**.
- D)** Using the **DOWN Button**, scroll to **MODE** then press the **ENTER Key**.
- E)** Using the **DOWN Button**, scroll to **AUTO** then press the **ENTER Key**.
- F)** Press the **EXIT Key** then, at the **SAVE CHANGES?** prompt, select **YES** to complete the installation.
- G)** Turn the **Power Switch** 'Off' and 'On' to reset the printer and complete the configuration.

Maintaining the Option

To ensure trouble free operation, the Present Sensor should be cleaned after every 100,000 inches (254,000 cm) of media use. (To easily track label usage, go to SYSTEM SETTINGS → MEDIA COUNTERS in the printer's menu system.)

Clean the assembly as follows:

1. Turn 'Off' the Power Switch and unplug the power cord from the AC Receptacle. Raise the Access Cover and remove the media from the printer.
2. Remove the Door, the Thumbscrew and the Present Sensor Assembly from the printer.
3. Clean the **Sensors** on the **Present Sensor Assembly** using compressed air or a soft brush.



☑ Note: For cleaning heavy deposits, isopropyl alcohol can be used – provided it is carefully applied using a cotton swab, and allowed to dry before reattaching the device.

4. Carefully press the **Present Sensor Assembly** into the Front Plate Connector and, using the Thumbscrew, secure the assembly to the printer. Reload media, close the Access Cover, and reinstall the Door to complete the cleaning procedure.

