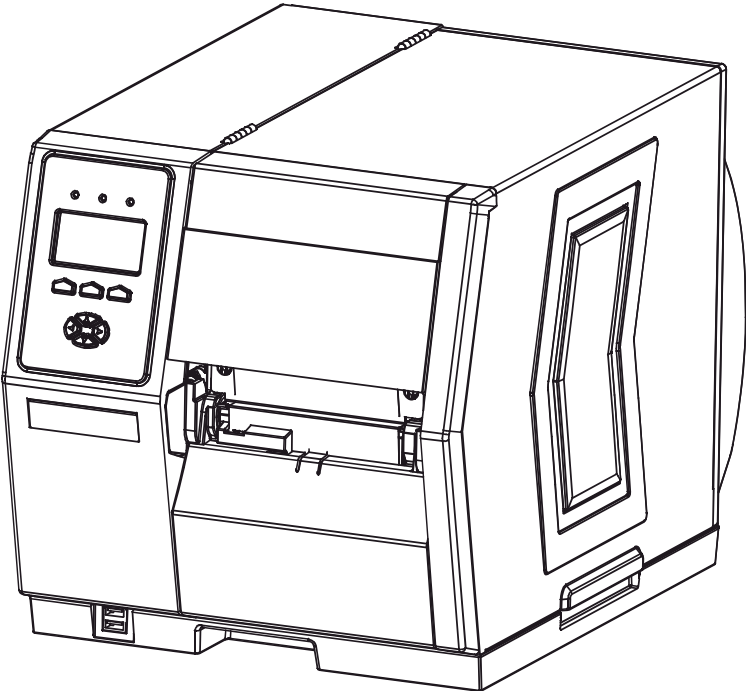


H-Class™

Internal Rewind Option ■■■



right by our customers. ■■■



datamax·o'neil

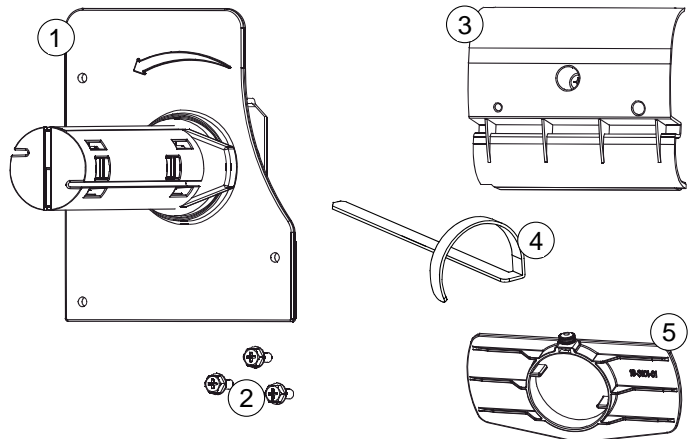
Overview

This document describes the installation and use of the Internal Rewind option for the H-Class printer. The Internal Rewind option, with an outer diameter capacity of 5.5 inches (140 mm), will hold a partial 8 inch (203 mm) roll of media or, if using Peel and Present, all of the liner material. After taking a moment to verify the contents of the kit and the tools required, follow the steps below to install and use the option.

Contents

In addition to this procedure, the kit contains the following items:

Item	Description
①	Rewinder Assembly
②	Screw (3)
③	Arc Plate
④	Retainer
⑤	Guide



Tools Required

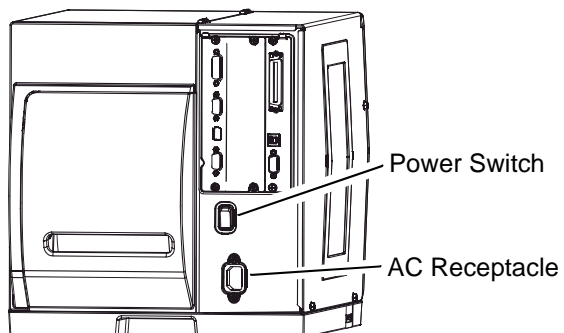
To install this option, you will need a Phillips screwdriver.

Installing the Rewinder



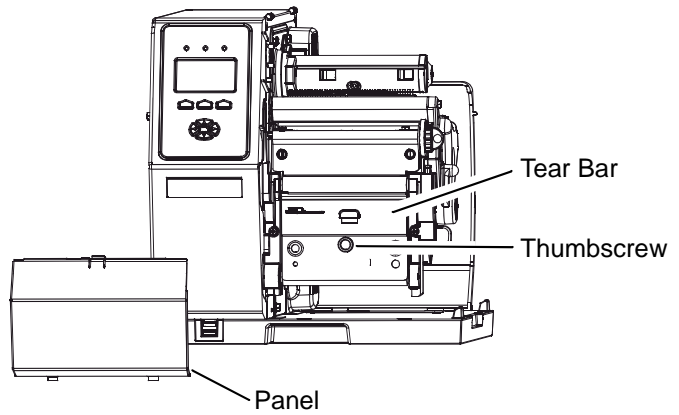
Remove power before performing this installation.

- 1) Turn OFF the **Power Switch** and unplug the power cord from the **AC Receptacle**.

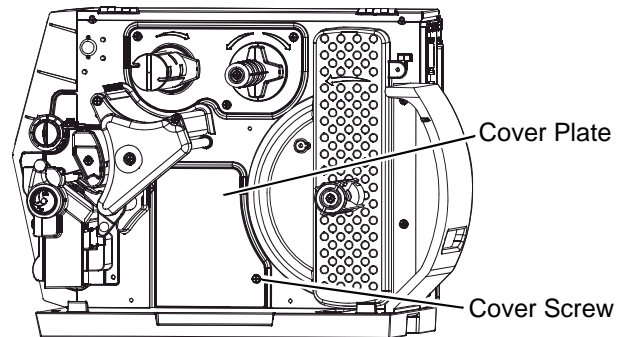


- 2) Raise the cover and remove media.
Remove the **Panel**, **Thumbscrew** and **Tear Bar**.

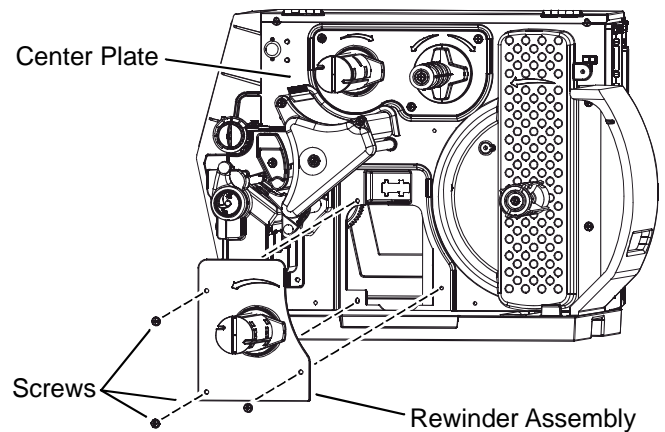
☑ **Note:** Alternately, if equipped with a Cutter or Present Sensor, remove that device.



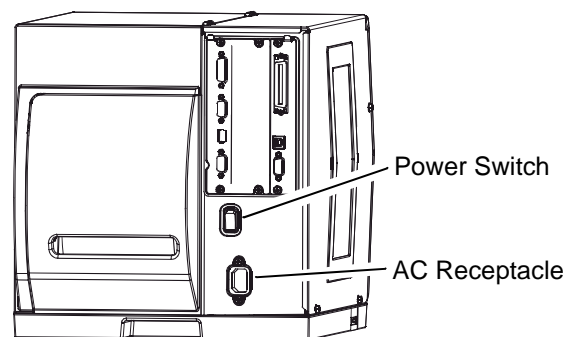
- 3) Remove the **Cover Screw** and then the **Cover Plate**.



- 4) Mount the **Rewinder Assembly** (Item ①) onto the **Center Plate** and then secure it using the three **Screws** (Item ②).



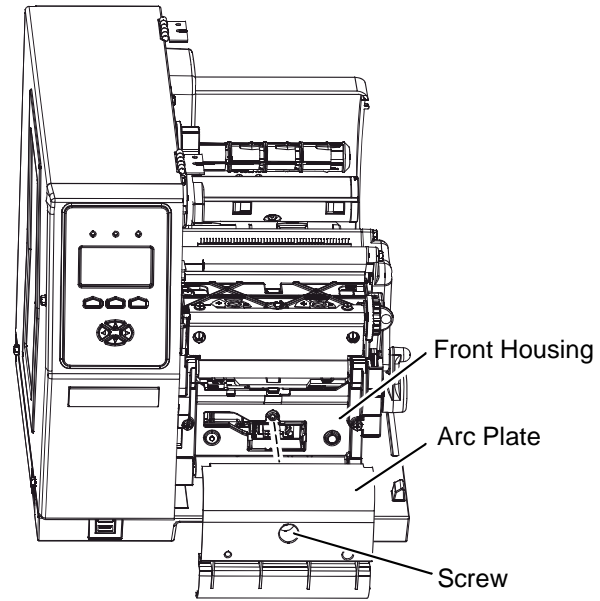
- 5) Plug the power cord into the **AC Receptacle** and turn ON the **Power Switch**. This completes the installation.



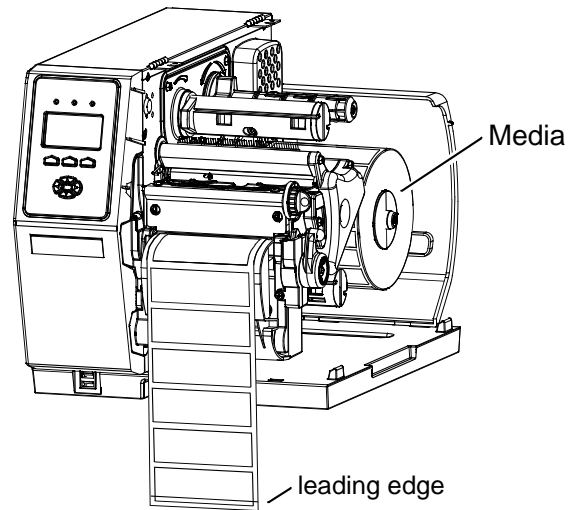
Using the Rewinder

- 1) To wind labels, mount the **Arc Plate** (Item ③) to the **Front Housing** then secure it using the captivated **Screw**.

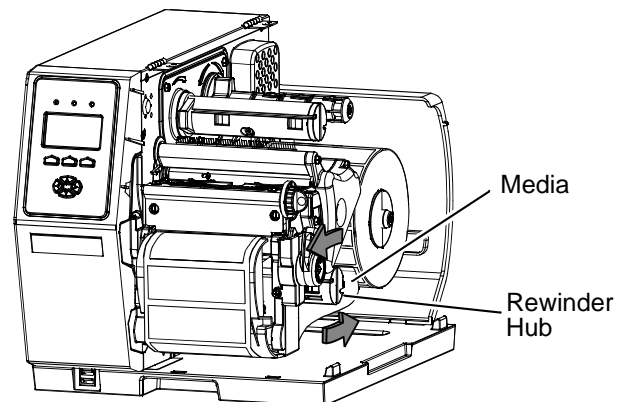
☑ **Note:** Alternately, to peel labels reference the instructions for that option.



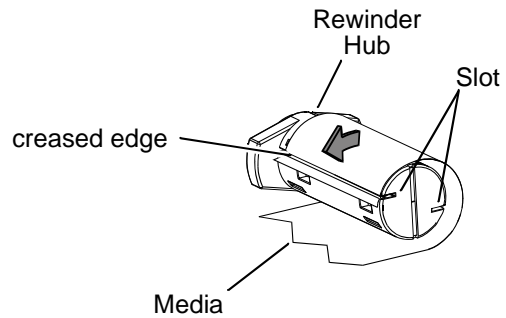
- 2) Load **Media**, extending an additional 20 inches (50 cm) and creasing its **leading edge**.



- 3) Route the **Media** counterclockwise, under and around the **Rewinder Hub**.

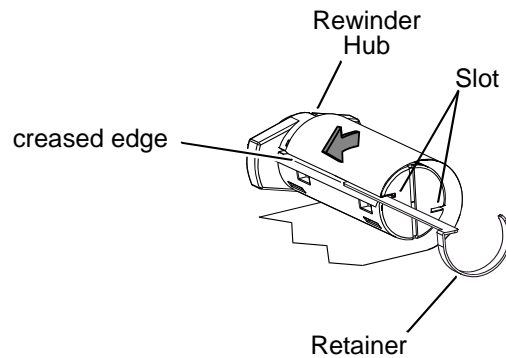


- 4) Insert the **creased edge** of the **Media** into a **Slot**, and then proceed according to the width:



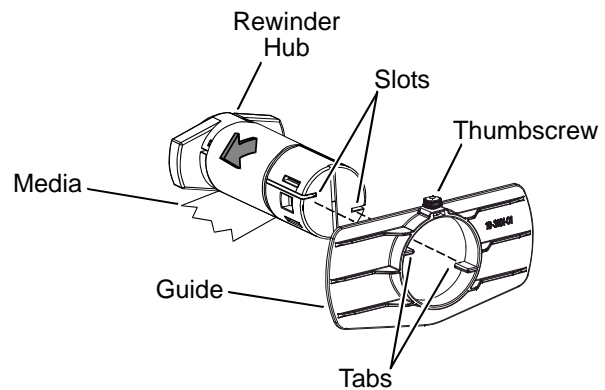
Full Width Media –

Insert the **Retainer** (Item ④) into the **Slot**, over the **creased edge** and around the **Rewinder Hub**. Begin printing.



Narrow Width Media –

While holding the **creased edge** in place, manually rotate the **Rewinder Hub** counterclockwise several times to secure the **Media**. Then align the **Tabs** to the **Slots** and slide the **Guide** (Item ⑤) onto the **Rewinder Hub**. Position the **Guide** lightly against the **Media** and tighten the **Thumbscrew**. Begin printing.



- 5) When it's time to unload the Internal Rewind option, tear or cut the **Media** (and, if installed, remove the **Guide**) then grasp and slide the **Roll** off the **Rewinder Hub**.

